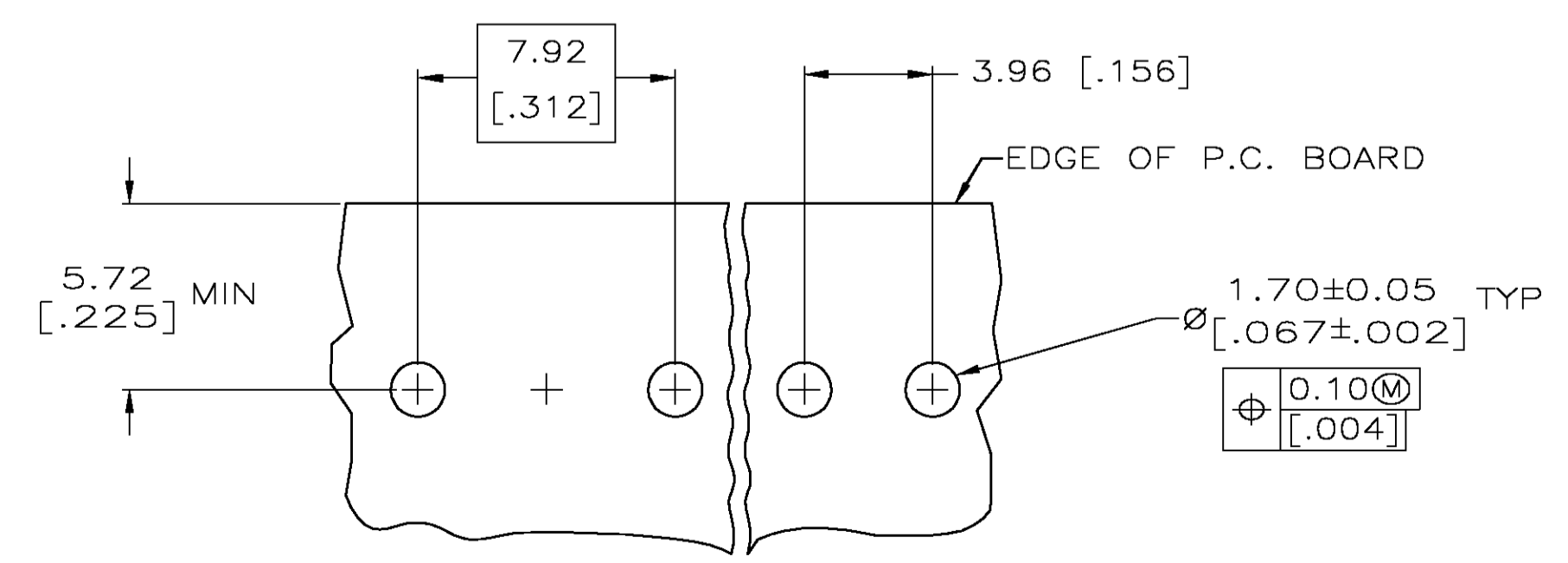
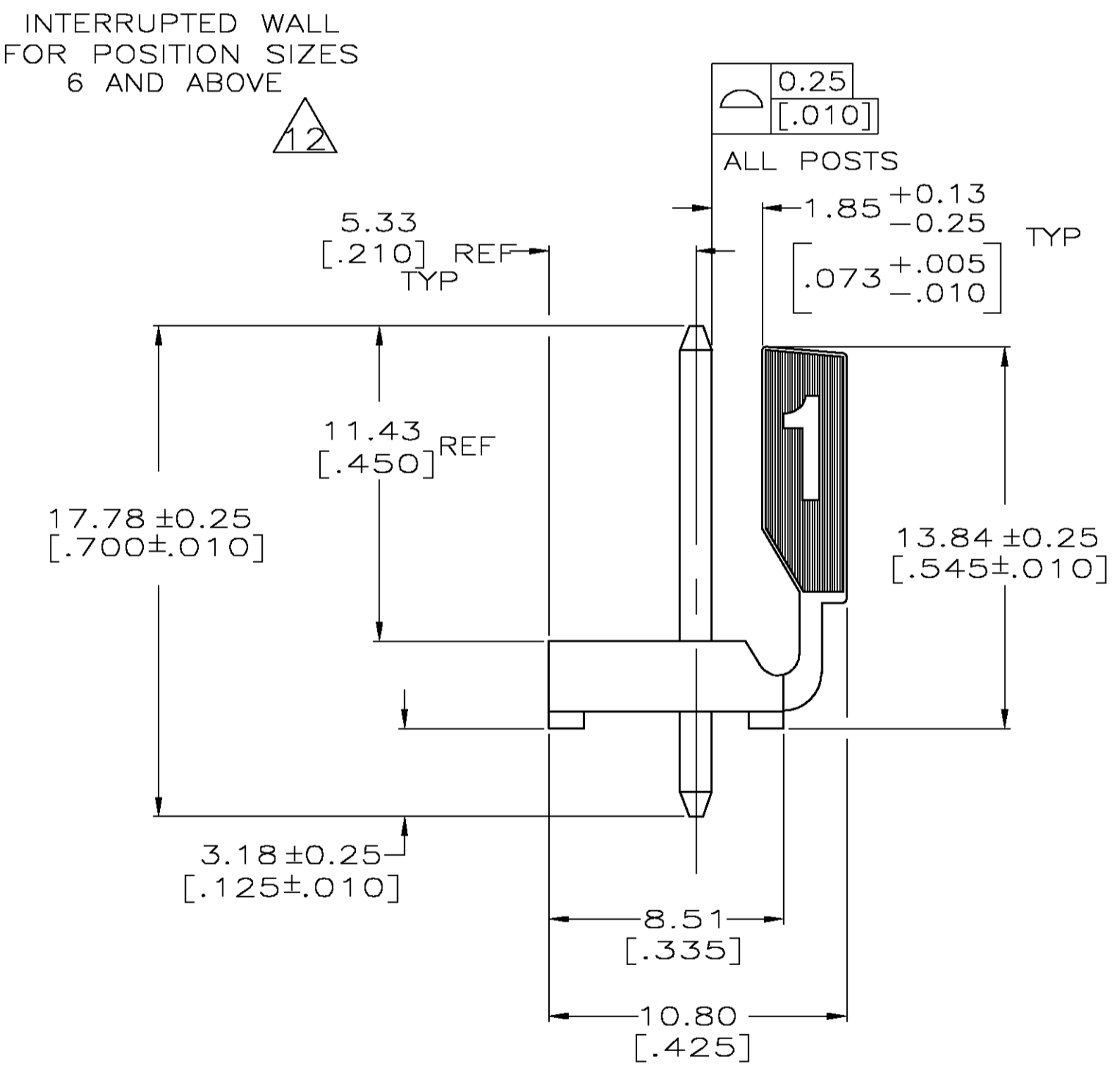
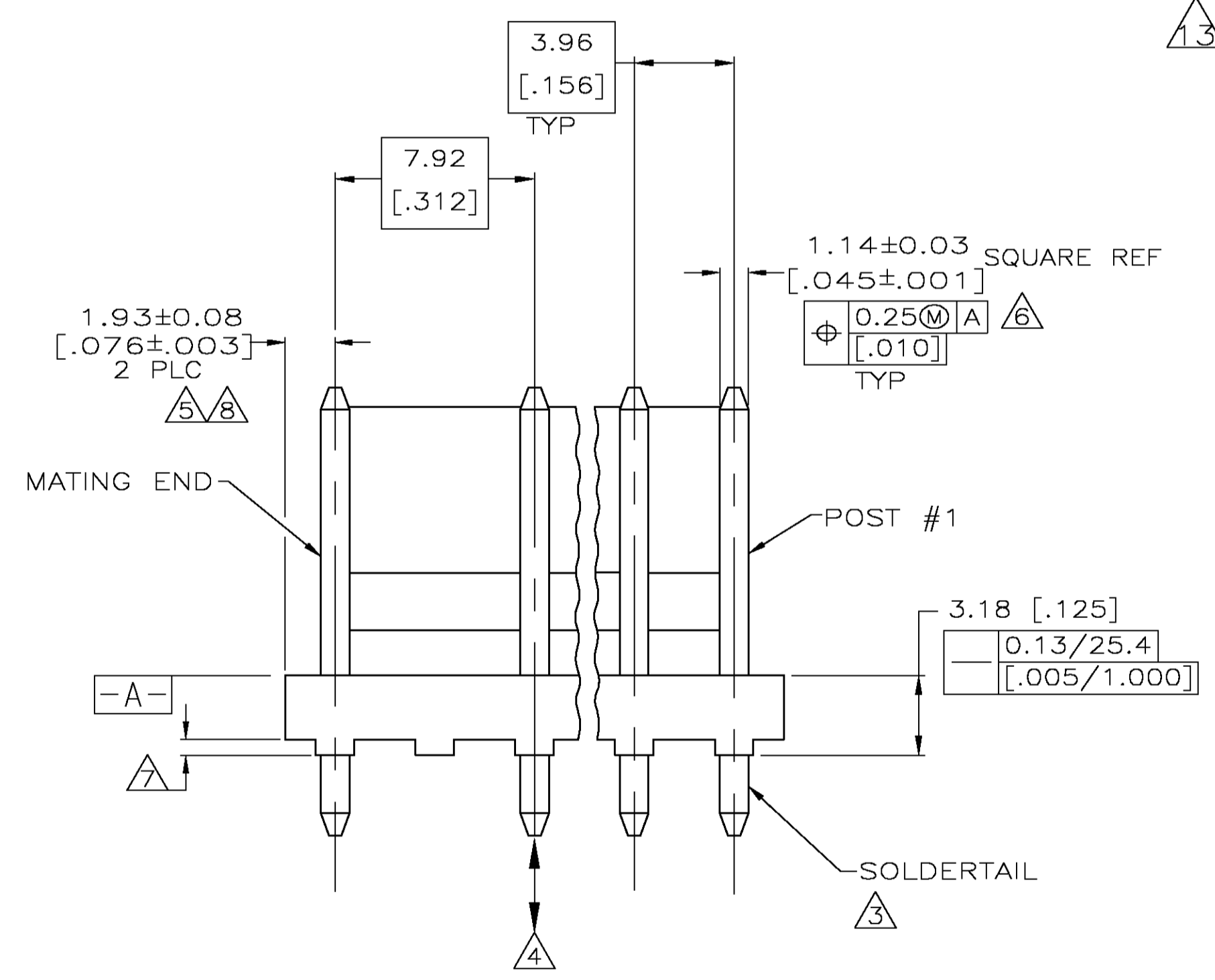


- △ MATERIAL
HOUSING: THERMOPLASTIC POLYESTER, GLASS FILLED, DR-48. UL94V-0.
POST: COPPER ALLOY
- △ FINISH
HOUSING: BLACK
POST: BRIGHT TIN-LEAD (93/7) 0.00380 [.000150]-0.00880 [.000350] THICK OVER NICKEL UNDERPLATE 0.00130 [.000050] MINIMUM THICK OR MATTE TIN PLATE 0.00380 [.000150] THICK OVER NICKEL UNDERPLATE 0.00130 [.000050] MINIMUM THICK IF LEAD FREE.
- △ POST SOLDERDETAILS COMPLY WITH AMP SOLDERABILITY SPEC 109-11-2.
- △ POST WITHSTANDS 13.34N (3 LB) MIN AXIAL FORCE IN EITHER DIRECTION WITHOUT DISLODGING.
- △ APPLIES AT -A-
- △ APPLIES WHEN THE HEADER IS STRAIGHT.
- △ PLASTIC PROJECTIONS PERMITTED IN THIS ZONE.
- △ COORDINATE DIMENSIONS APPLIES FROM THE CENTER OF THE ACTUAL FEATURE.
- △ SOLDER SIDE OF BOARD IS SHOWN.
- 10. DIMENSIONS IN BRACKETS ARE IN INCHES.
- △ EDGE OF POLARIZING LOCK WALL TO BE IN LINE WITH CENTERLINE OF ADJACENT POST ±0.13 [.005].
- △ ALL POSITION SIZES HAVE THE BACK WALL NOTCHED ON BOTH ENDS AS SHOWN. THE 2 THRU 5 POSITION SIZES HAVE SOLID BACK WALLS. POSITION SIZES 6 AND ABOVE HAVE AN INTERRUPTED BACK WALL AT VARIOUS LOCATIONS (SEE TABLE FOR INTERRUPTION(S) LOCATIONS).
- △ NOTCH SHOWN MAY OR MAY NOT APPEAR.



YES	3 & 4, 7 & 8	39.50	[1.555]	10	4-644992-0
YES	4 & 5	31.57	[1.243]	8	3-644992-8
YES	3 & 4	23.65	[.931]	6	3-644992-6
NO	3 & 4, 7 & 8	39.50	[1.555]	10	1-644992-0
NO	4 & 5	31.57	[1.243]	8	644992-8
NO	3 & 4	23.65	[.931]	6	644992-6
LEAD FREE	BACK WALL INTERRUPTIONS BETWEEN POST	mm	[IN]	NO OF POSITIONS	PART NUMBER

METRIC

RECOMMENDED MOUNTING HOLE PATTERN FOR 1.57 [.062] THICK P.C. BOARD

THIS DRAWING IS A CONTROLLED DOCUMENT.

DIMENSIONS: mm [INCHES]	TOLERANCES UNLESS OTHERWISE SPECIFIED:	0 PLC ±	1 PLC ±	2 PLC ±	3 PLC ± 0.13 [.005]	4 PLC ±	ANGLES ±	FINISH
MATERIAL		WEIGHT		SIZE		CAGE CODE		DRAWING NO
CUSTOMER DRAWING		SCALE		SHEET		OF		REV

DWN: S. HOOVER 22-OCT-2004
 DSK: D. BOSSI 22-OCT-2004
 APVD: D. BOSSI 22-OCT-2004
 NAME: ASSEMBLY- MTA .156 HEADER, POLARIZED LOCK, STR .045 SQUARE POST, TIN OR TIN-LEAD PLATED, OMITTED POST #5, SPECIAL
 APPLICATION SPEC: []
 SIZE: A1
 CAGE CODE: 00779
 DRAWING NO: 644992
 RESTRICTED TO: []
 SCALE: 5:1
 SHEET: 1 OF 1
 REV: H